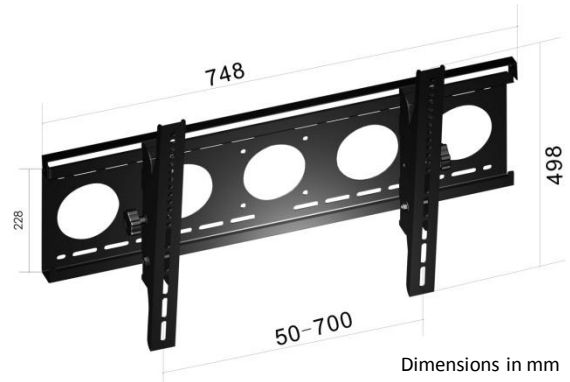


## MODEL FPLB1B TILTING WALL MOUNT FOR 36-55" DISPLAYS

### SPECIFICATIONS



Wall distance:95mm

### PRODUCT FEATURES

- TILT UP TO 15degrees-FAST AND SIMPLE INSTALLATION
- FOR 36-55" DISPLAYS
- UNIVERSAL DESIGN FOR NON-VESA COMPATIBLE DISPLAYS ALSO
- LATERAL ADJUSTMENT
- HEAVY DUTY TO 165Lbs WITH RUGGED BLACK FINISH
- UL LISTED

### INCLUDED WITHIN KIT

WALLMOUNT FOR 40-55"DISPLAYS
COMPLETE ATTACHMENT HARDWARE
INSTALLATION GUIDE

CTN WGT 12.1lb  
CTN DIMENSIONS 30.5"x9"x3.5"

### ARCHITECTURAL SPECIFICATIONS

The Flat Panel Wall Mount shall be FEC Model FPLB1B and UL listed. It shall be installed at all locations as listed per plans. Assembly and install shall be done according to the Manufacturer's install guide. by a professional installation crew.

Specifications subject to change without notice.