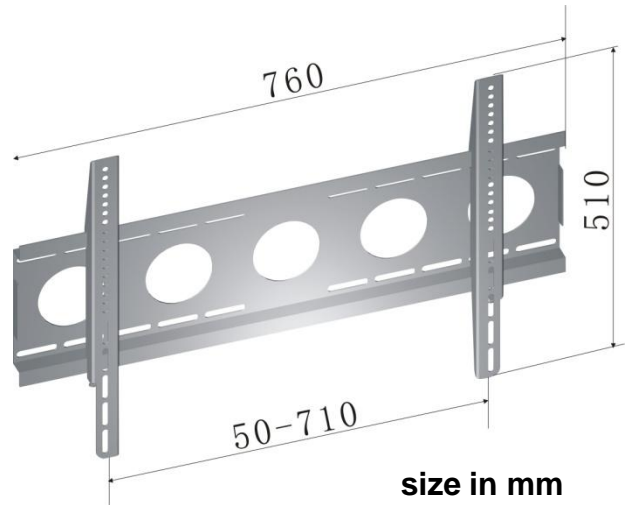


MODEL FPLB55

FLAT WALL MOUNT FOR 36-55" DISPLAYS

SPECIFICATIONS



PRODUCT FEATURES

- FAST AND SIMPLE INSTALLATION
- 41.5mm DISTANCE TO WALL
- FOR 36-55" DISPLAYS
- UNIVERSAL DESIGN FOR NON-VESA COMPATIBLE DISPLAYS ALSO
- VESA COMPLIANT TO 700x400mm
- LATERAL ADJUSTMENT
- HEAVY DUTY TO 165lbs WITH RUGGED SILVER FINISH
- UL LISTED

INCLUDED WITHIN KIT

WALLMOUNT FOR 36-55" DISPLAYS
COMPLETE ATTACHMENT HARDWARE
INSTALLATION GUIDE

CTN WGT 12.1Lb

CTN DIMENSIONS 30.5"x9"x3.5"

ARCHITECTURAL SPECIFICATIONS

The Flat Panel Wall Mount shall be FEC Model FPLB55 and UL listed. It shall be installed at all locations as listed per plans. Assembly and install shall be done according to the Manufacturer's install guide. by a professional installation crew.

Specifications subject to change without notice.