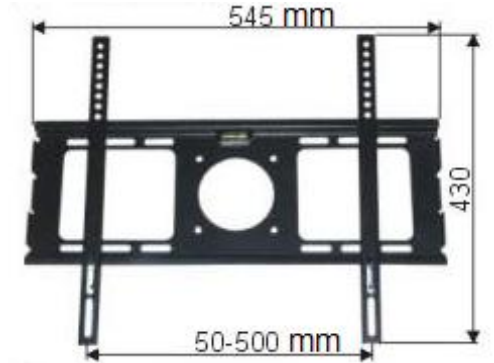


FLW118SF2

FLAT WALL MOUNT for 26"-42" DISPLAYS

SPECIFICATIONS



PRODUCT FEATURES

- DISTANCE TO WALL ONLY 1"(25mm)
- FAST AND SIMPLE INSTALLATION
- CONVENIENT BUILT IN LEVEL INDICATOR
- FOR DISPLAYS 26"-42" AND 132lbs
- MAY BE USED WITH NON VESA COMPATIBLE DISPLAYS
- UP TO 500x400mm FOR VESA MOUNT DISPLAYS
- LATERAL ADJUSTMENT
- RUGGED BLACK POWDERCOAT FINISH
- UL/GS LISTED

CTN WGT 5.2Lb

CTN DIMENSIONS 23"x8.5"x1.75"

INCLUDED WITHIN KIT

WALLMOUNT FOR 26-42"DISPLAYS
COMPLETE ATTACHMENT HARDWARE
INSTALLATION GUIDE

ARCHITECTURAL SPECIFICATIONS

The Flat Panel Wall Mount shall be FEC Model FLW118SF2, with 1" distance from the wall and UL listed. It shall be installed at all locations as listed per plans. Assembly and install shall be done according to the Manufacturer's install guide. by a professional installation crew.

Specifications subject to change without notice.