

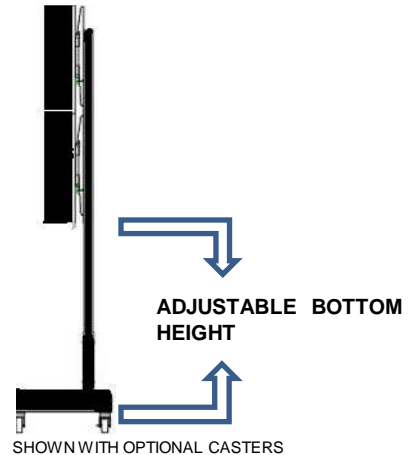


QUALITY MOUNTING SOLUTIONS

PO BOX 266  
ALBERTSON NY 11507  
TEL 516-967-9565

## MODEL PVW2x2 FOR 42-55" DISPLAYS

# 2x2 VIDEO DISPLAY WALL MOUNT KIT



## FEATURES

- CREATE YOUR OWN 2x2 VIDEO WALL CONVENIENTLY
- STRAIGHT FORWARD ASSEMBLY
- FOR LCD/LED DISPLAYS FROM 42 -55"
- ADJUSTABLE HEIGHT TO SUIT MOST APPLICATIONS
- PORTABLE(WITH OPTIONAL CASTERS) APPLICATION
- SECURE TO FLOOR APPLICATION FOR FIXED MOUNTING
- CONVENIENT FLOOR LEVELER FEATURE
- RUGGED BLACK POWDER COAT FINISH

## INCLUDED WITHIN KIT

- COMPLETE SUPPORT STRUCTURE FOR UP TO 4 LCD DISPLAYS
- ALL MOUNTING HARDWARE FOR UP TO 4 DISPLAYS
- INSTALLATION GUIDE

## OPTIONAL ACCESSORY

- HEAVY DUTY 4" CASTERS-SET OF 8( 4 WITH WHEEL LOCKS)

## ARCHITECTURAL SPECIFICATIONS

The Flat Panel Video Wall Mount shall be FEC Model PVW2X2 with vertical and horizontal adjustability for 42-55" LCD Displays. It may be used for portable, with heavy duty caster option, or permanent applications. Assembly and install shall be done according to the manufacturer's install guide by a professional installer.

Specifications are subject to change without notice.