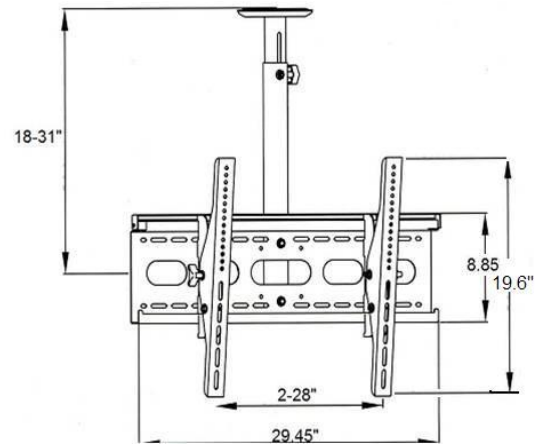


FPLCB5

CEILING MOUNT FOR 36-55" DISPLAYS

SPECIFICATIONS



PRODUCT FEATURES

- **UNIVERSAL DESIGN FOR MAXIMUM FLEXIBILITY**
- **FOR LARGE DISPLAYS 36-55" TO 165lbs**
- **ADJUSTABLE LENGTH COLUMN FROM 20-40" INCLUDED**
- **TILT ADJUSTMENT TO 15 degrees**
- **STRUCTURAL CEILING MOUNT PLATE INCLUDED**
- **HARDWARE FOR WOOD/MASONRY CEILINGS INCLUDED**
- **RUGGED BLACK FINISH**

CTN WGT 20Lb
CTN DIM 30.5"x10"x7"

• **UL SAFETY LISTED**

INCLUDED WITHIN KIT

- UNIVERSAL FLAT PANEL ADAPTOR PLATE
- STRUCTURAL CEILING MOUNT PLATE
- ADJUSTABLE LENGTH COLUMN
- HARDWARE BAG FOR WOOD/MASONRY INSTALL
- INSTALLATION GUIDE

ARCHITECTURAL SPECIFICATIONS

The Flat Panel Ceiling Mount shall be FEC Model FPLCB5 with adjustable pole. It shall be UL Safety listed and include a ceiling plate. It shall be installed at all locations as listed per plans. Assembly and install shall be done according to the Manufacturer's install guide by a professional installer with proper assistance.

Specifications subject to change without notice.